

cuplex kryos NEXT VARIO with VISION

Operating and assembly manual

1. Preparation

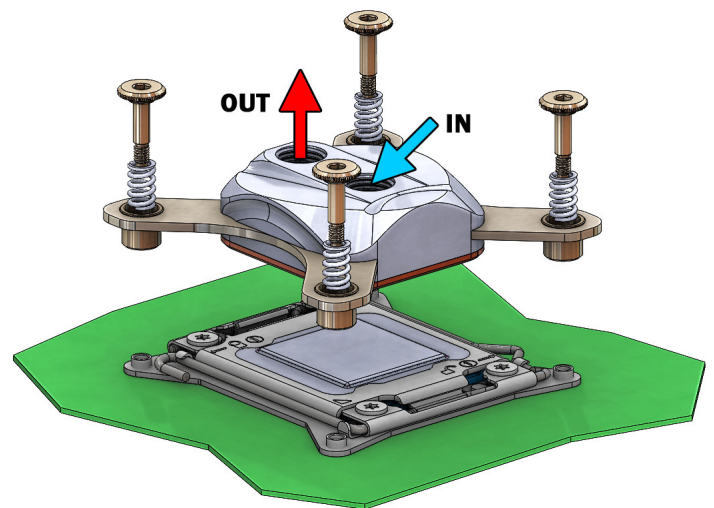
Back up your data before modifying your hardware! Disconnect your PC from the mains power outlet. To prevent damaging the sensitive hardware components, make sure to ground your workplace and yourself to prevent electrostatic discharges.

When upgrading an existing PC setup, remove the installed heat sink from the CPU. Refer to the instruction manual of the CPU cooler for details. Remove thermal grease residues from the CPU surface using benzine if necessary.

Place a small drop (diameter ca. 4 mm or 0.15 inch) of thermal grease supplied with the cuplex kryos NEXT centrally on the CPU. Alternatively, you can apply a thin layer of the thermal grease using the supplied plastic spatula.

2.1. Instructions for Socket 2066, 2011-3, 2011, AM4, AM5, TR4, sTRX4, sTR5, SP6

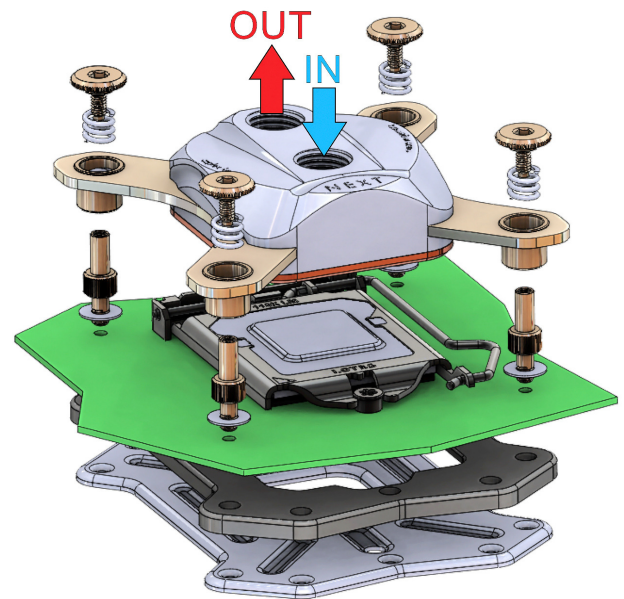
Place the cuplex kryos NEXT on top of the thermal grease covered CPU, observing the orientation as shown in the picture. Place on spring into each recess and insert a knurled screw through each spring into the anchor threads of the CPU socket (only one or two revolutions). Alternately fasten each screw a fraction of a revolution until all four screws are fully fastened.



2.2. Instructions for Socket 1150, 1151, 1155, 1156, 1200, 1700, 1851

Arrange back plate and black insulation mat below the processor socket as shown in the picture. Slide one plastic washer onto the outer thread of each retention bolt and screw the bolts through the four mounting holes of the motherboard into the back plate. For easy installation, the retention bolts can be screwed in by hand or with a hexagon socket wrench.

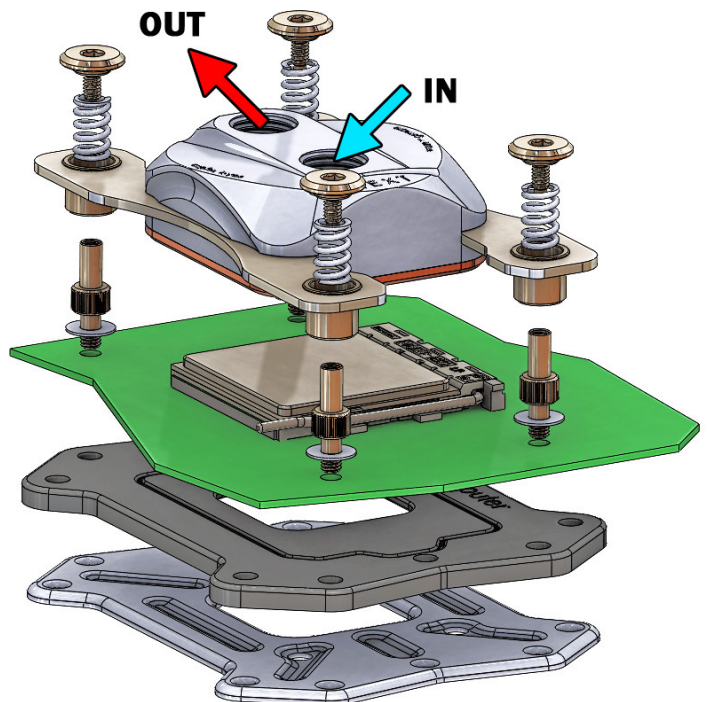
Place the cuplex kryos NEXT on top of the thermal grease covered CPU, observing the orientation as shown in the picture. Slide one of the four supplied springs onto each bolt and secure each spring using one of the knurled head screws (only one or two revolutions). Alternately fasten each screw a fraction of a revolution until all four screws are fully fastened.



2.3. Instructions for Socket AM3+, AM3, FM2+, FM2

Arrange back plate and black insulation mat below the processor socket as shown in the picture. Slide one plastic washer onto the outer thread of each retention bolt and screw the bolts through the four mounting holes of the motherboard into the back plate. For easy installation, the retention bolts can be screwed in by hand or with a hexagon socket wrench.

Place the cuplex kryos NEXT on top of the thermal grease covered CPU. Slide one of the four supplied springs onto each bolt and secure each spring using one of the knurled head screws (only one or two revolutions). Alternately fasten each screw a fraction of a revolution until all four screws are fully fastened.



3. Integration into a water cooling system and flow direction

Integrate the cuplex kryos NEXT into a water cooling system of sufficient performance. For best cooling performance, the coolant must be supplied through the central fitting of the cuplex kryos NEXT. Reversed flow direction significantly decreases cooling performance.

4. Initial operation and approved coolants

Put the water cooling system into operation, but do not connect any other PC components to the mains supply! Check the cuplex kryos NEXT as well as the fittings for leakages and do not put your PC into operation unless you can definitively eliminate the possibility of coolant leaking from the system! If any component has been in contact with coolant, do not put it into operation before it is completely dry again! For operating the PC, the cuplex kryos NEXT must be correctly mounted and be connected to a water cooling system featuring adequate cooling performance! For corrosion inhibition, "Double Protect Ultra" must be used as coolant!

5. Geometry adjustment of the water block base

The geometry of the base part of cuplex kryos NEXT VARIO variants can be adjusted using four adjusting screws on the sides of the water block to perfectly fit the CPU. Each water block is pre-adjusted to a geometry that performs very well with a number of CPUs. A laser engraving on the screws marks this preset. The geometry is to be adjusted while the PC is in operation. Therefore, the cuplex kryos NEXT VARIO has to be installed on the CPU and integrated into a functioning water cooling setup. Use extreme caution while adjusting the water block and do not touch any motherboard components!

CPU temperature or CPU core temperatures must be monitored while adjusting the geometry. Examples for suitable software are:

- aquasuite version 2017 or higher, tab "Quick data view"
- "HWiNFO" (REALiX, Freeware, www.hwinfo.com)
- "Core Temp" (Arthur Liberman, freeware, www.alcpu.com)
- "Open Hardware Monitor" (Open Hardware Monitor Project, open source/MPL 2.0, www.openhardwaremonitor.org)
- "AIDA64" (FinalWire Ltd., subject to license fees, www.aida64.com)
- Some motherboard manufacturers also provide suitable software.

The adjustment should be done while the CPU is subject to heavy load. Examples for suitable software are:

- "Prime95" (Great Internet Mersenne Prime Search, freeware, www.mersenne.org)
- "OCCT" (OCBASE, freeware, www.ocbase.com)

Vary the positions of the adjustment screws of the cuplex kryos NEXT VARIO slightly and monitor CPU temperature. If the CPU temperature decreases, proceed to adjust the screw in the same direction. If the temperature increases, reverse the adjustment. Perform the process for all four adjustment screws until the water block is optimally adjusted. No adjustment screw should be rotated by more than one revolution from the original position!



In order to reset the water block to the factory setting, screw in each adjustment screw until the stop and then loosen each screw by approximately one revolution, until the marking on screw and water block align.

6. Integrated VISION module

The user and installation manual for the VISION module integrated into the water block as well as the "aquasuite" software for configuration, evaluation and monitoring of all Aqua Computer USB devices can be found on our website www.aqua-computer.de in the Support/Downloads section.

ATTENTION:

Disregarding the instructions may lead to severe damages! Aqua Computer GmbH & Co. KG cannot be held liable for damages or injuries resulting from improper installation or use of the product!

Thank you for choosing an aqua computer product.